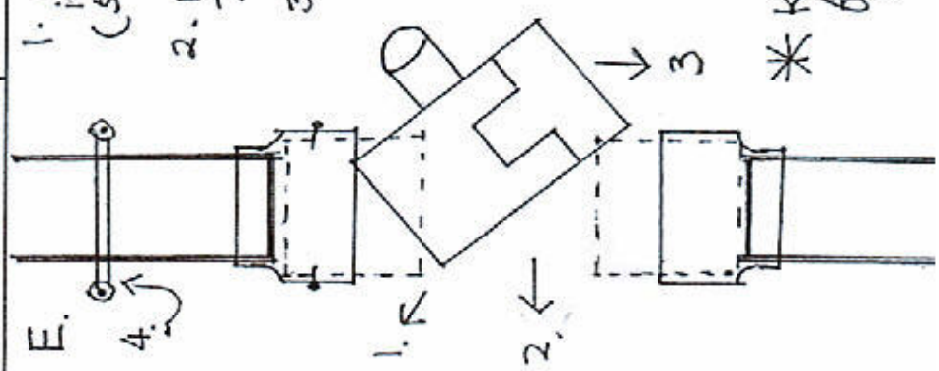
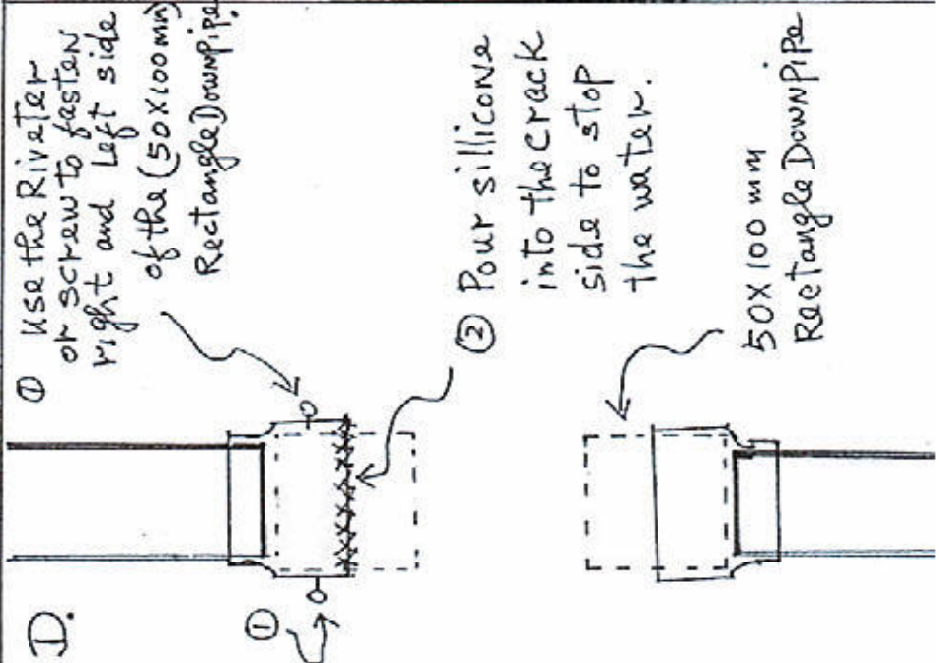
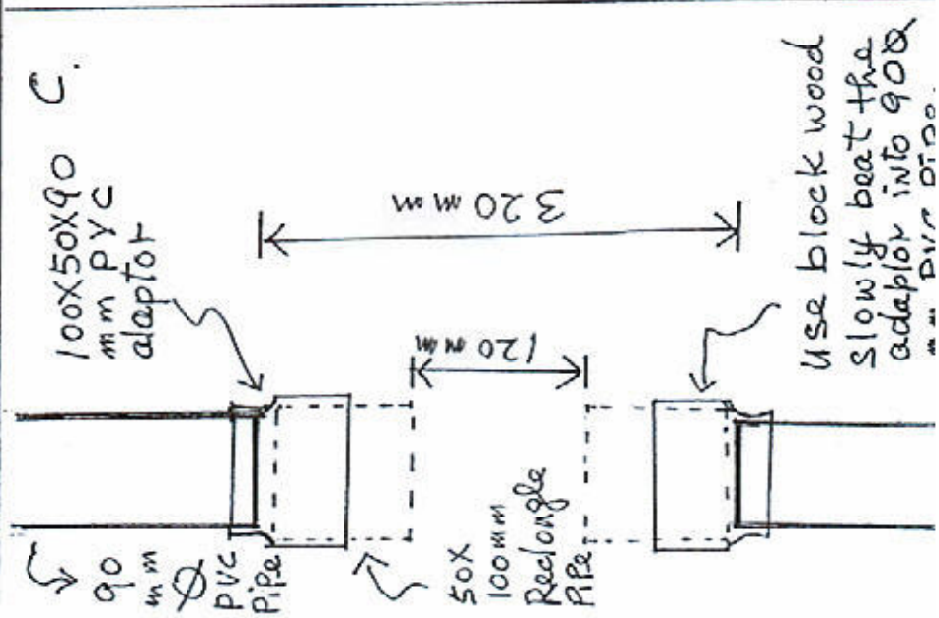
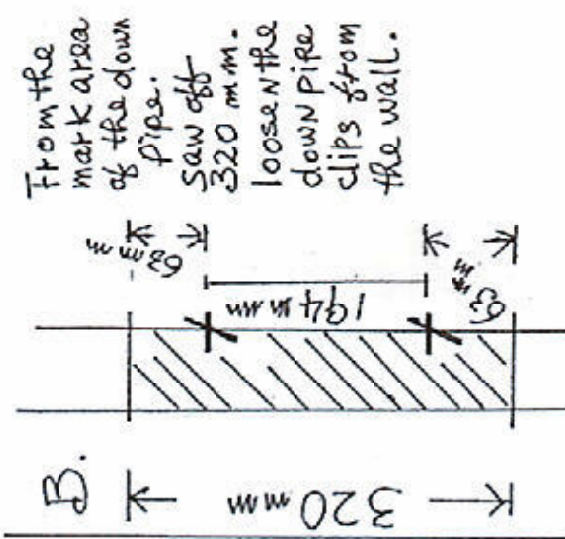
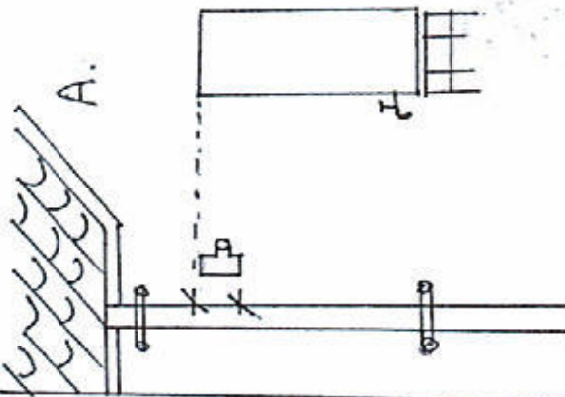


Guidelines to insertion of an adaptor of 90° PVC down pipe

- 2x PVC 100x50x90mm Adaptor
- 2x Pieces of 80mm long 50x100mm Rectangle down pipe
- Screw/Riveter + blind cutter silicone + Gun
- block of wood, work glove.

Material // Tools

First, install the water tank into position. Then measure the position of the Rainwater catchment device's additional outlet is at the top entry level of the water tank, mark down the position on the down pipe.



1. Insert the top section into the upper part of the (50x100mm) down pipe.
2. Move the Rainwater catchment device to wards the wall.
3. Slowly slide into the lower (50x100mm) down pipe.
4. Fasten the loosen down pipe clips backs to the wall.

* Keep children away from open-ended water containers.